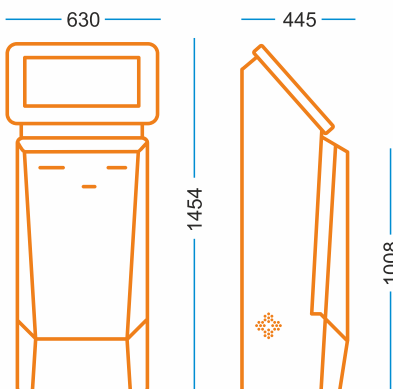




# Stand-alone terminal for crypto exchange

## Technical data

**Weight:** approx. 150 kg  
**Material:** 2.5mm steel  
**Screen:** 16:9 Full HD 21.5"  
**Connections:** 3G/5G or Wi-Fi  
**Acceptor:** MEI Advance SC 600 or other  
**Dispenser:** FUJITSU F56 2-4 cassettes (each 500 banknotes) or other  
**Thermal printer:** SANEI SK1  
**Camera:** USB 2 Mpix  
**QR code reader:** Newland FM30  
**Supported crypto:** BTC, XRP, ETH, USDT, USDC  
**Languages:** Polish, English, any language can be added  
**UPS online:** UPS1000-T-ON  
**Power consumption:** 150W  
**Voltage:** 230V



**Opportunity to instantly exchange cash to cryptocurrency or cryptocurrencies to cash.**



**A large touchscreen monitor, simple and intuitional service**



**Many currency pairs and many languages make our devices able to work all over the world!**



**Safe, stand-alone terminal made of thick steel**



**UPS device that allows to safely complete the transaction and print its confirmation**